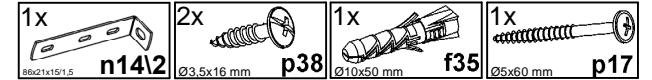
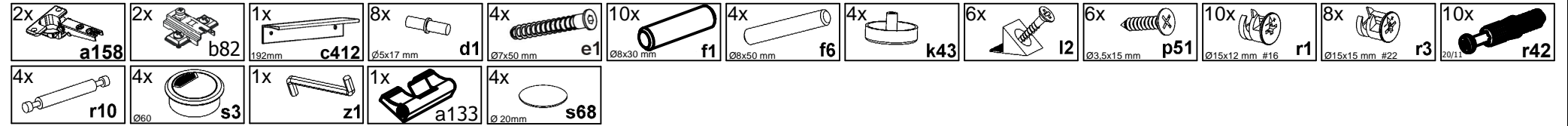
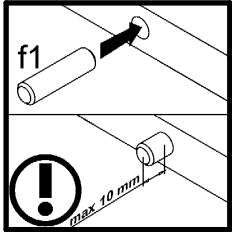
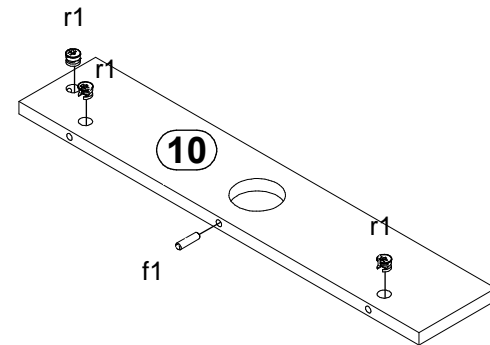
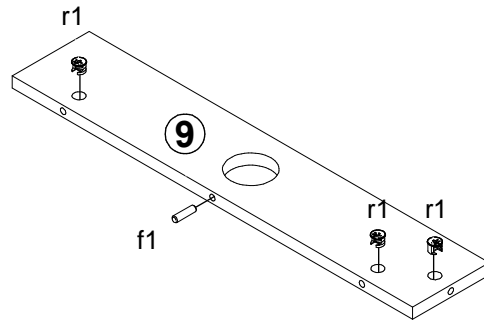
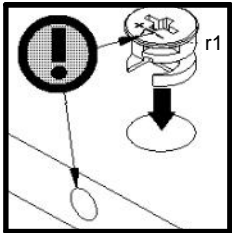
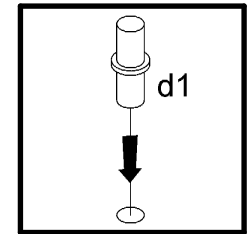
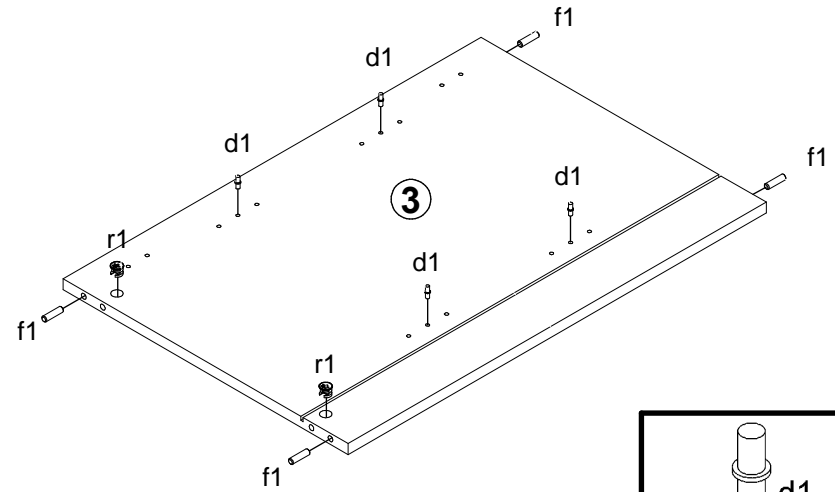
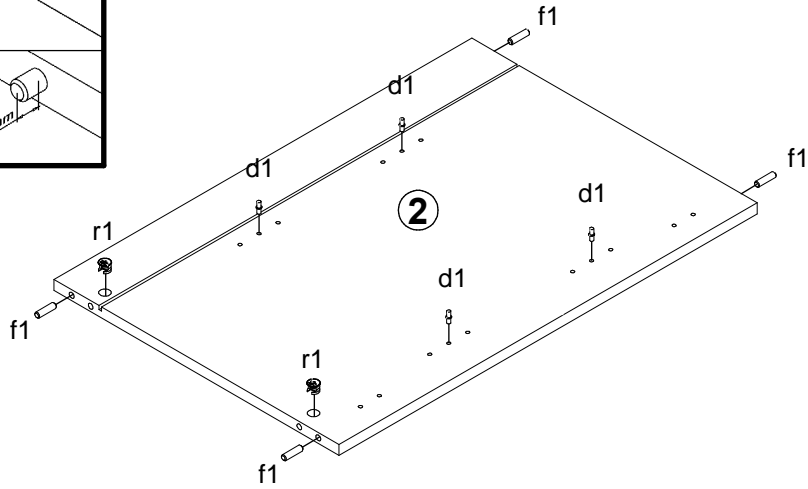


A	B	C1	C2	C3	D
1	S507-0006	729	396	19	2/2
2	S507-1016	705	481	16	2/2
3	S507-1017	705	481	16	2/2
4	S507-2008	400	504	22	1/2
5	S507-2009	400	482	16	1/2
6	S507-2010	600	440	22	1/2
7	S507-2011	600	440	22	1/2
8	S507-3014	366	391	16	2/2
9	S507-4504	115	600	16	1/2
10	S507-4505	115	600	16	1/2
11	S507-9007	715	377	2,5	2/2

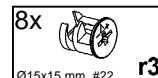
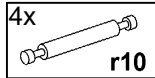
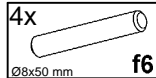
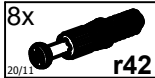
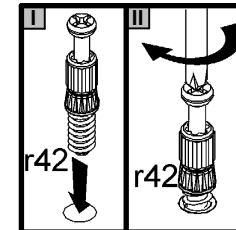
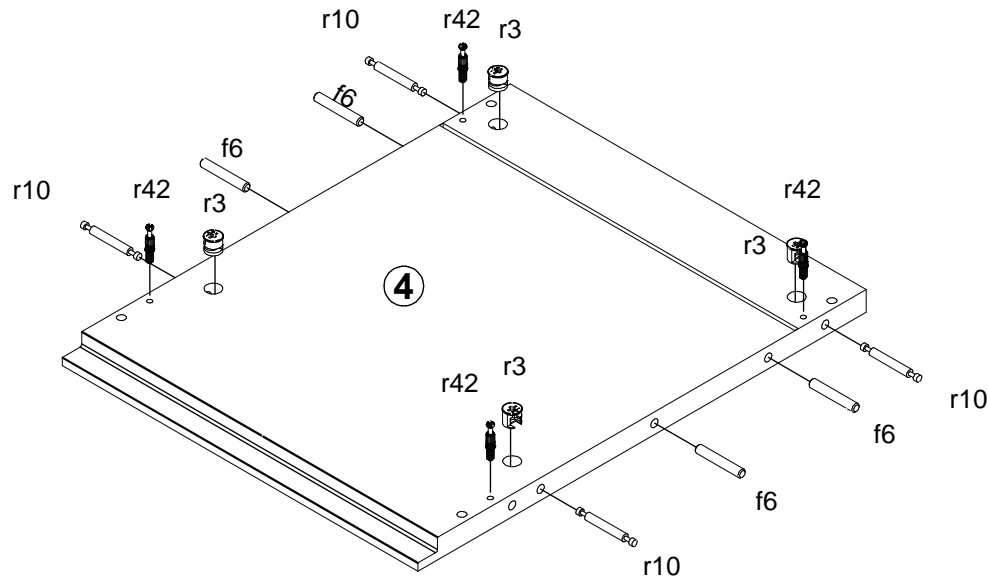
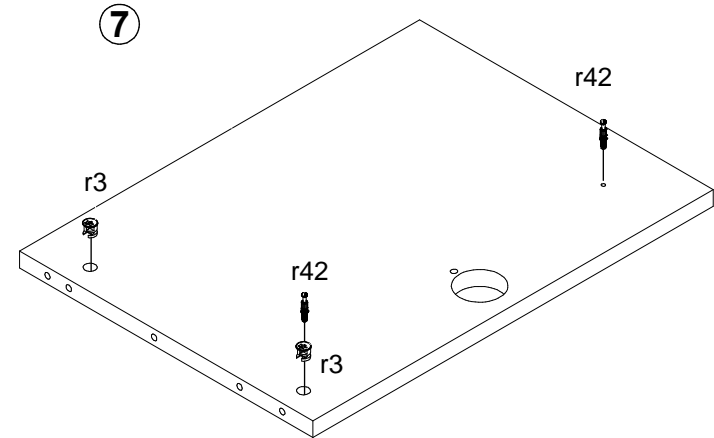
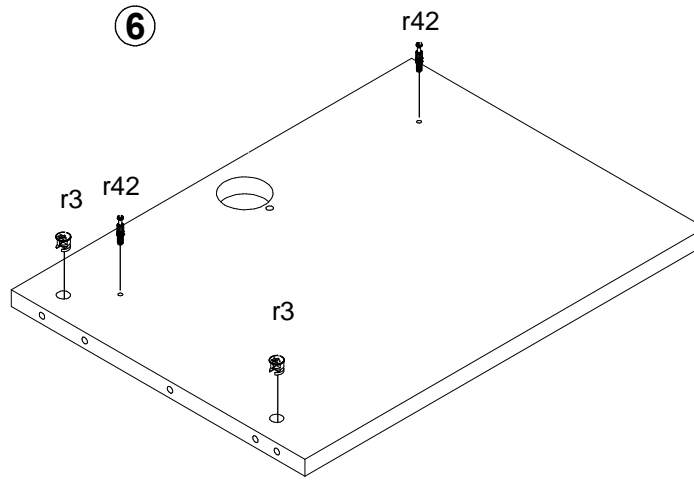
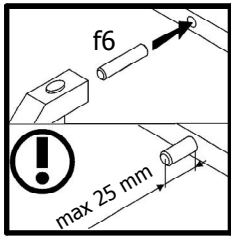
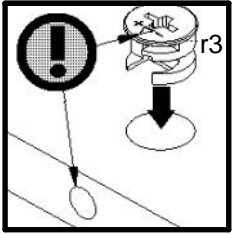




1

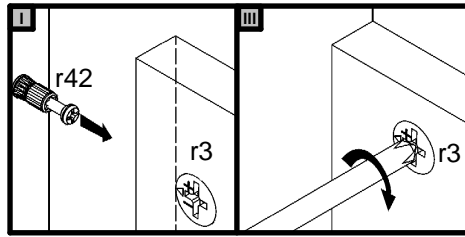
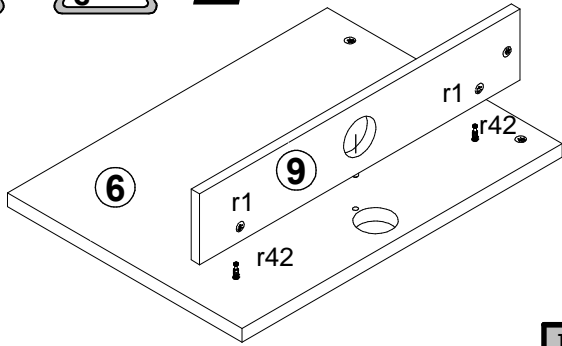


- | | | |
|-------------------------------------|-------------------------------|--------------------------------|
| <p>10x r1</p> <p>Ø15x12 mm #16</p> | <p>8x d1</p> <p>Ø5x17 mm</p> | <p>10x f1</p> <p>Ø8x30 mm</p> |
|-------------------------------------|-------------------------------|--------------------------------|

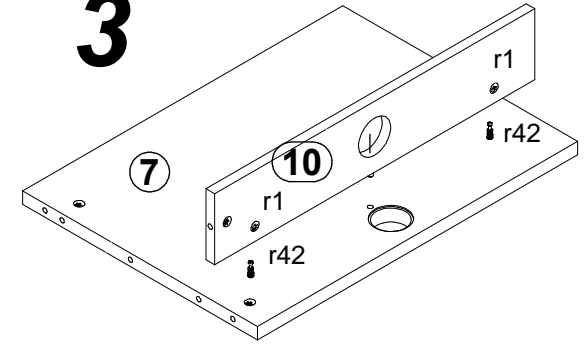




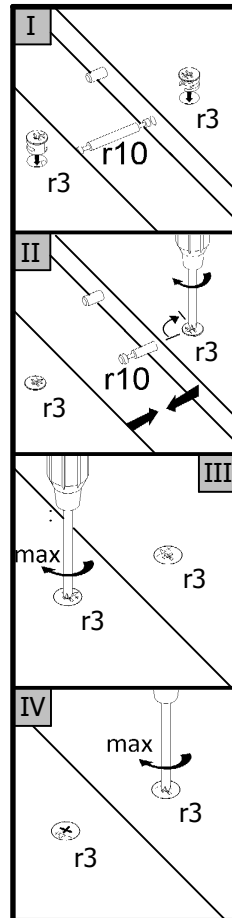
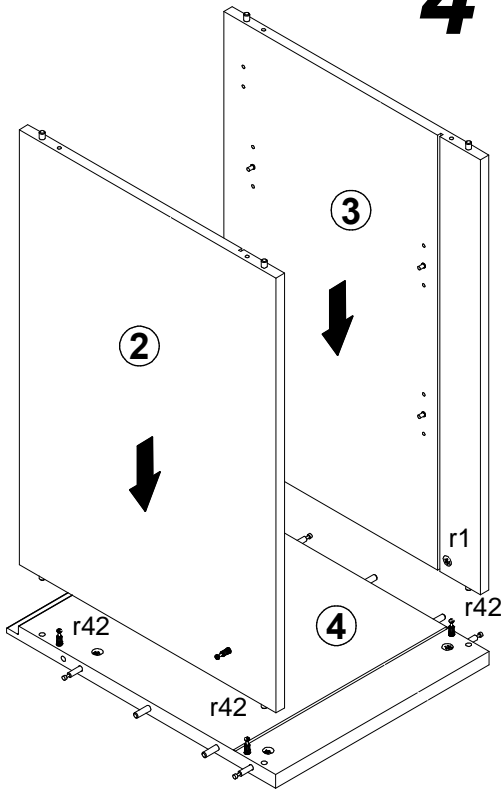
2



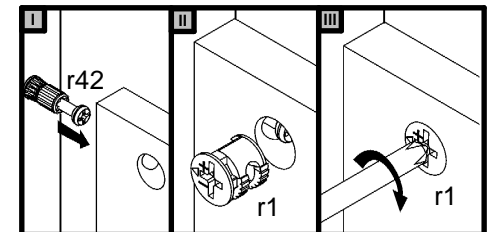
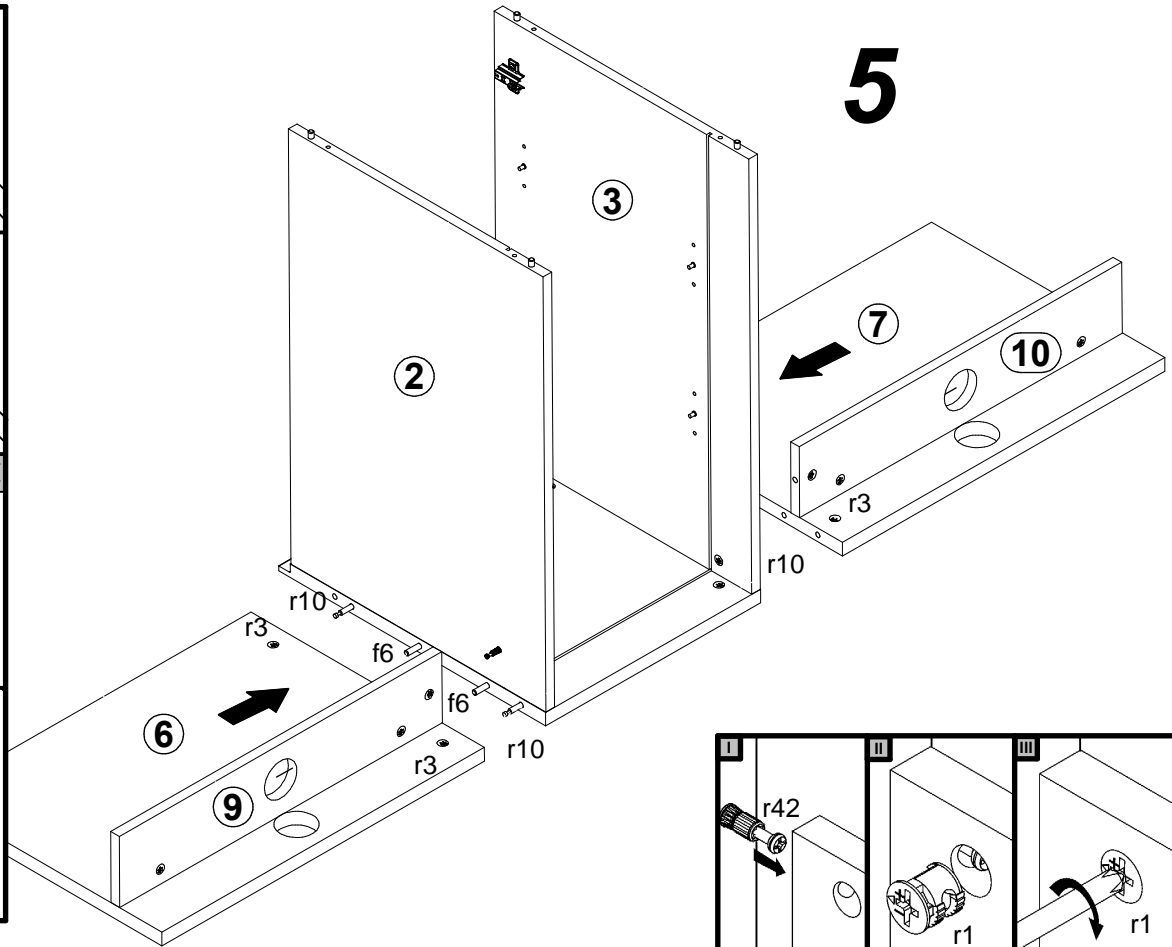
3



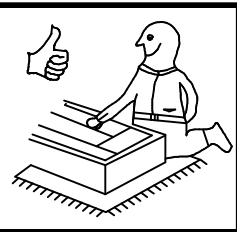
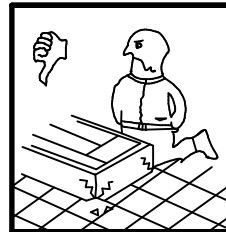
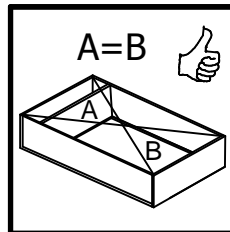
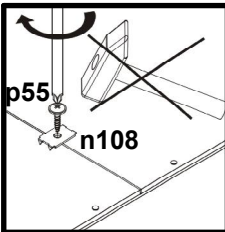
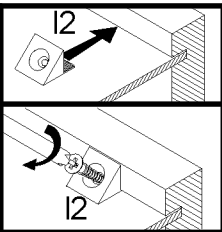
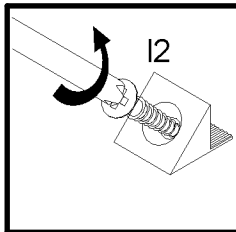
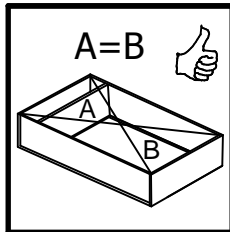
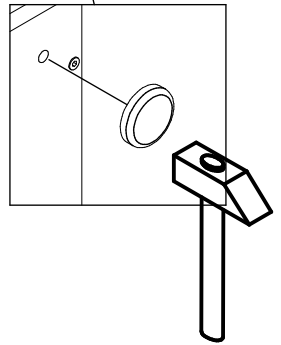
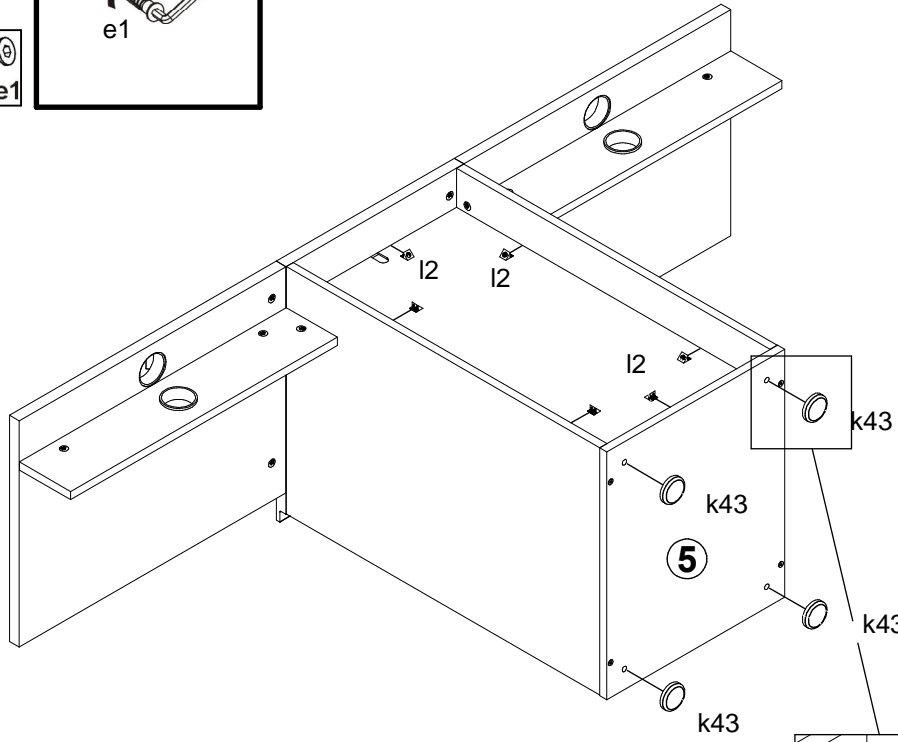
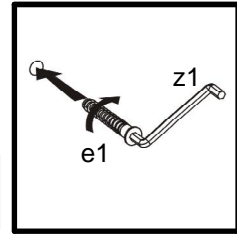
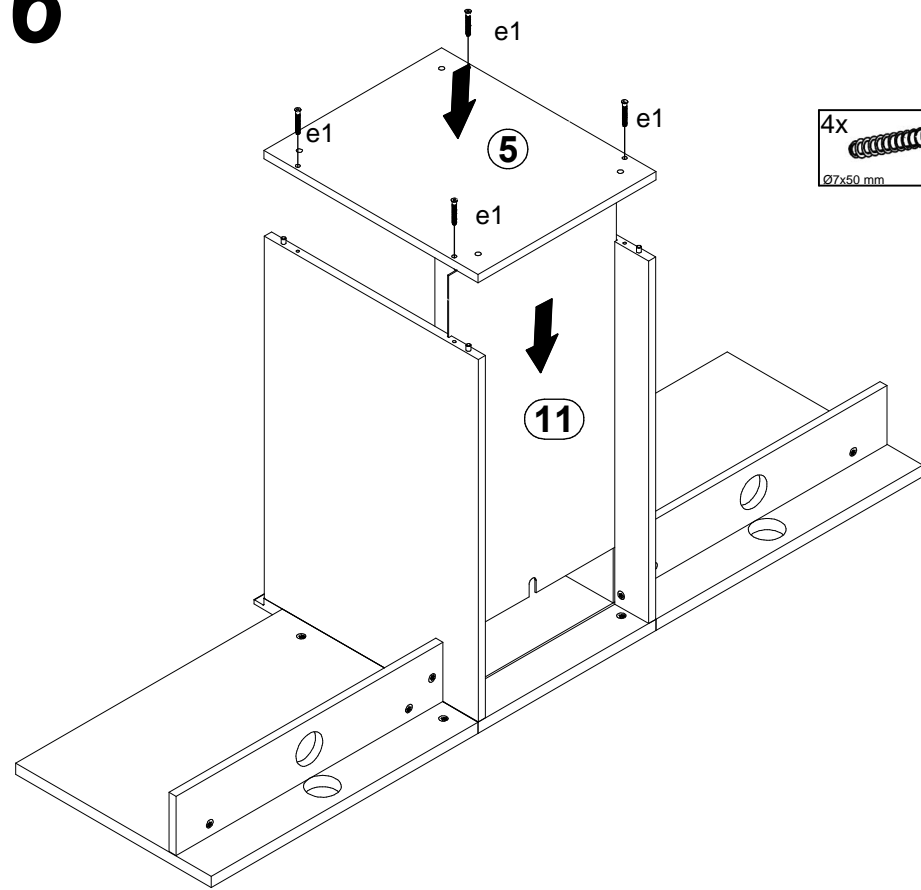
4



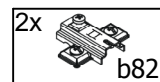
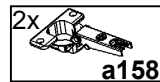
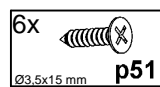
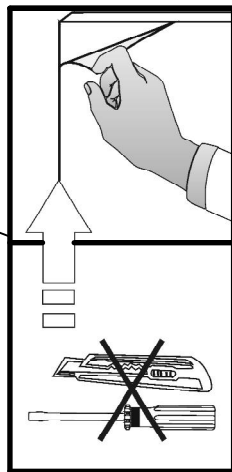
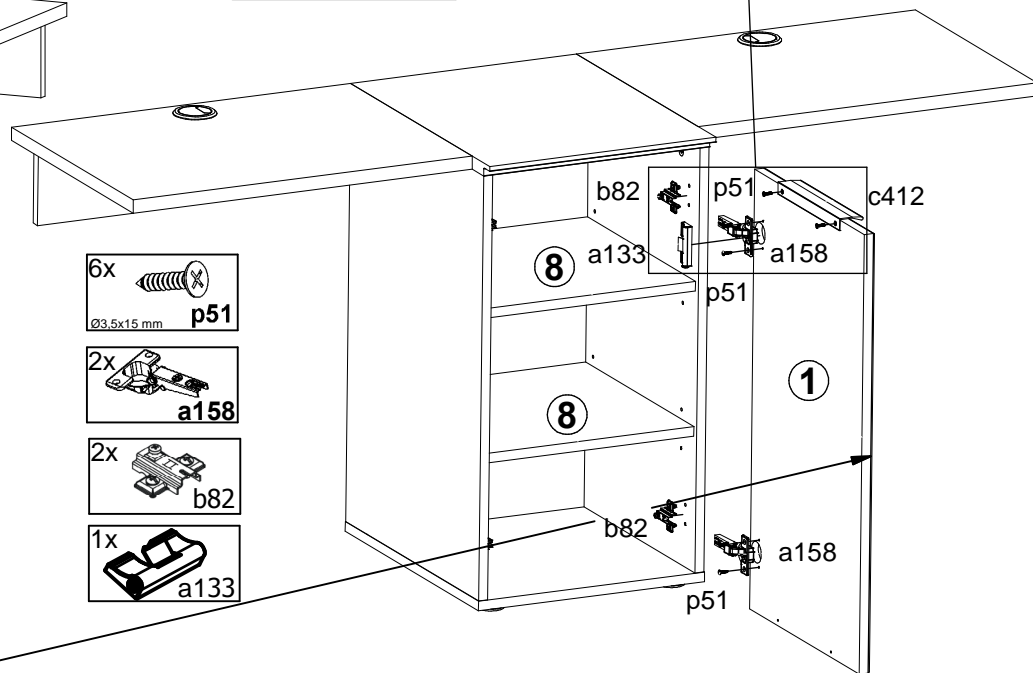
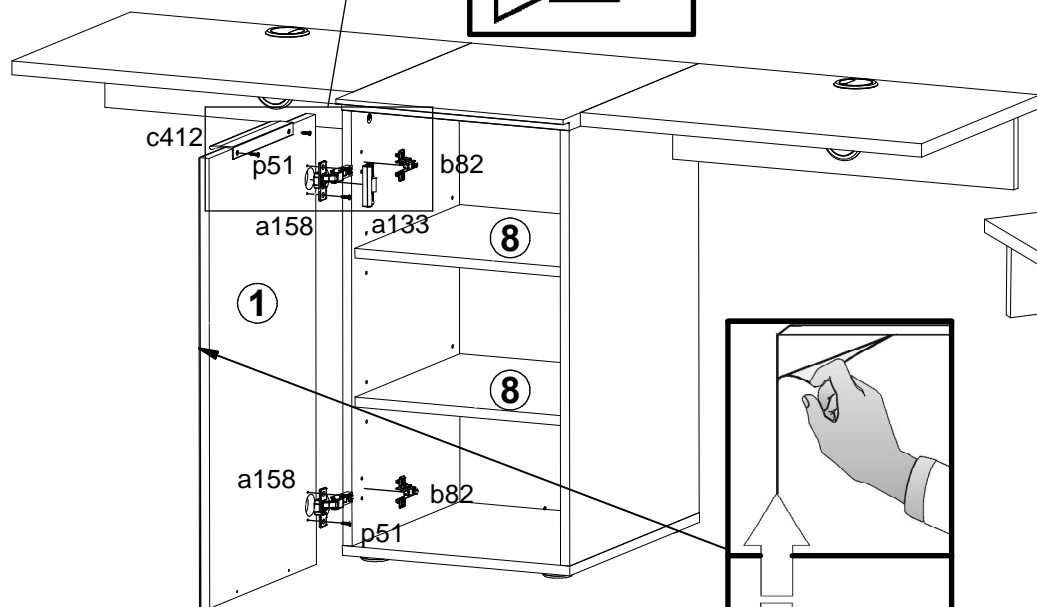
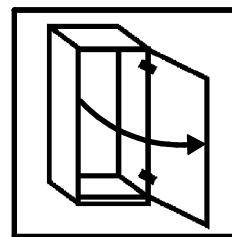
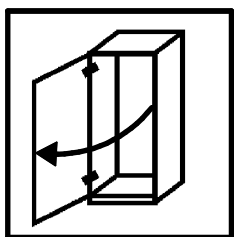
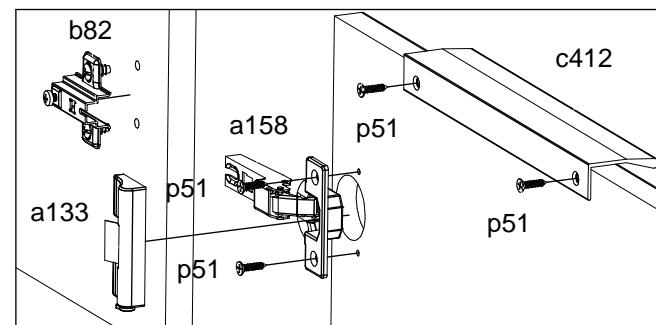
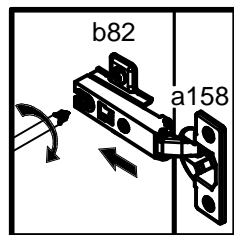
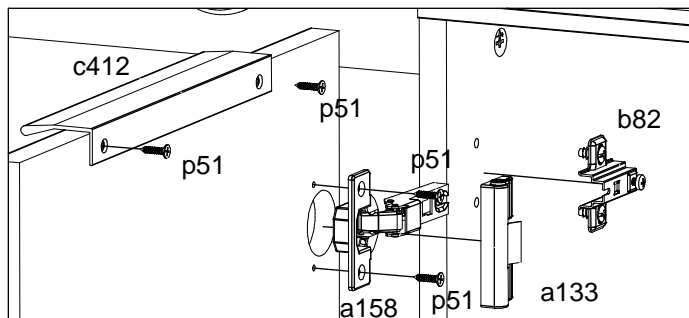
5



6



7



8

